

**XB2/6-GF**

For the specifications given for the exterior and installation of the final finished XB2/6-GF Model Gearbox, please consult the drawing/table, as shown below:

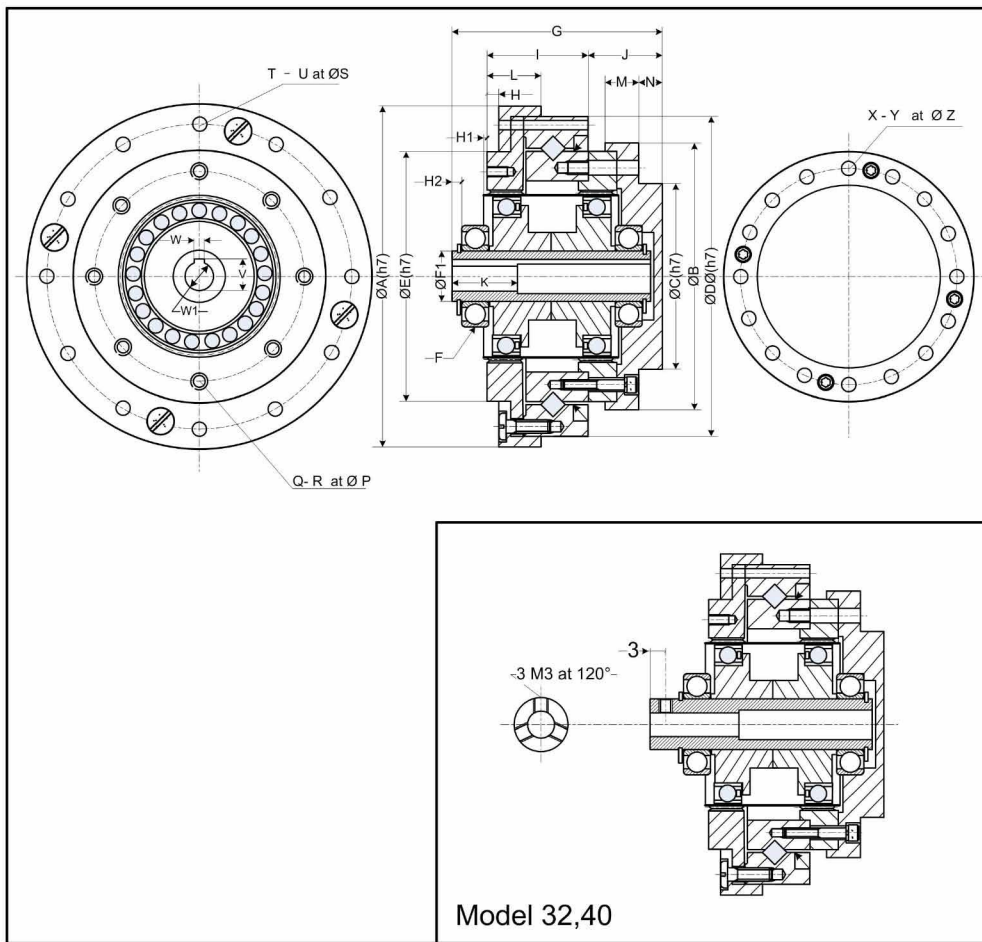


Diagram 9-01

Model	A	B	C	D	E	F	F1	G	H	H1	H2	I	J	K	L
	(h7)		(h7)	(h7)	(h7)	Bearing									
32/35	75	54	36	70	50	24*12*6	12	52.5	2.5	0.5	6.8	22.7	18	20	11.5
40	85	64	46	80	60	30*17*7	17	57	2	1.3	7.3	24.5	19	20	11.5
50	95	75	50	90	70	37*20*9	20	62.5	4	2.5	2.5	28.5	23	20	14
60	116	90	60	110	85	42*25*9	25	69	4	2	2.8	33	24.5	25	18
80	148	115	85	142	110	55*35*10	35	86	5	2	3.5	40.5	32	25	20
100	175	140	100	170	135	62*40*12	40	102	7	2	4	49	38	30	25
120	220	175	130	214	170	62*40*12	40	118	12	1.5	4	60	43.5	35	30

Model	M	N	P	Q	R	S	T	U	V	W	W1	X	Y	Z
										(JS9)	(H7)			
32/35	8	5.5	44	4	M3*6	64	8	Φ3.5			6	8	Φ3.5*11.5-M3*8	44
40	9.5	6	54	8	M3*6	74	12	Φ3.5			8	16	Φ3.5*12-M3*9	54
50	11	6.5	62	8	M3*6	84	12	Φ3.5	13.8	4	12	16	Φ3.5*15.5-M3*6	62
60	10	7.5	73	8	M4*8	102	12	Φ4.5	16.3	5	14	16	Φ4.5*16-M4*6	77
80	10.5	9.5	100	8	M5*10	132	12	Φ5.5	16.3	5	14	16	Φ5.5*21.5-M5*10	100
100	13.5	11	120	8	M6*12	158	12	Φ6.5	16.3	5	14	16	Φ6.5*26-M6*10	120
120	12	11.5	154	8	M8*16	200	12	Φ9	21.4	6	19	16	Φ8.5*30-M8*12	154

Unit: mm